

## KYB Global Network



● Manufacturing ● Sales ● Technical Centers



Kumagaya-Japan



Vadodara - India



USA



Spain



Czech Republic



Thailand



Sagami - Japan



Malaysia



TSW Products - USA



Vietnam



Concrete Batching Plant



Mobile Batching Plant



Concrete Canal Paver



Concrete Road Paver



Concrete Pump

# KYB

# conmat

KYB-CONMAT PRIVATE LIMITED

**Office**  
845, G.I.D.C., Makarpura, Vadodara - 390 010, Gujarat, India  
Ph.: 0265-2647276, 3293916, Fax: 0265-2630763  
Mob.: 098988 70278, 098988 70548

**Works**  
702-703, Beside National Highway No. 8, Opp. Sahyog Hotel,  
Por, Vadodara - 391 243, Gujarat, India  
Ph.: 096015 51608, 076000 08144

Email: sales@conmatindia.com • www.conmatindia.com • www.kyb.co.jp

Note: The technical specifications of the product may vary depending on the model, and are subject to change without prior notice.

www.conmatindia.com

# KYB

# conmat

# MR60

# Transit Mixer



Tiger

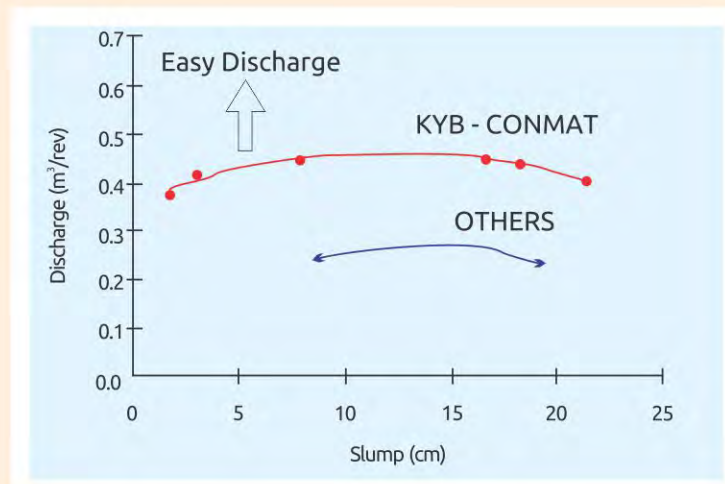
# KYB-CONMAT brings Japan's largest selling Transit Mixer to India



KYB-CONMAT Transit Mixers are produced in India with technology developed and tested by KYB in Japan. KYB has produced more than 100,000 Transit Mixers over the period of last 60 years. MR60 has been developed and tested for over one year by simulating Indian working conditions and has gone through rigorous trials in tandem with CONMAT using state of the art sensing and monitoring devices.

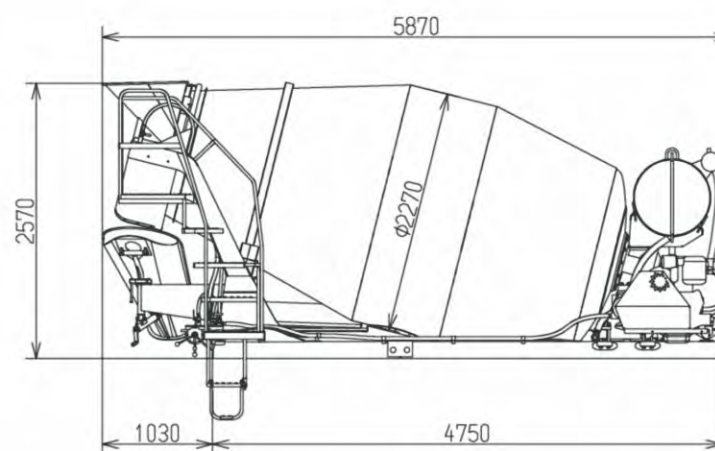
MR60 has very high speed concrete charge and discharge, for increased productivity, and can handle very low slump concrete, hence can be used in variety of construction jobs, conventionally not suitable for TM application. KYB Products are delivered to Customers around the world with high quality and safety propelled by Japanese Technology.

MR60's high speed charge / discharge performance is due to its unique blade design. High precision C shaped spirals are formed by accurate forming dies, maintaining uniform, low resistance flow, hence low power consumption. C shaped spirals enhance agitating performance, so concrete could be worked with during delays. Low filling level due to high geometric and water line volume improves mixing performance.



- Due to its unique blade design, spiral has wider flute and thus has bigger charge / discharge volume per revolution of the drum.
- Contact area between blades and concrete / unit volume is lower, hence low adhesion of concrete on the spiral resulting in low friction and low power consumption.

## Data & Facts

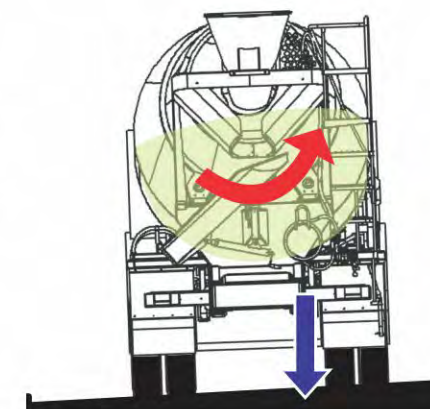


| Sr. No. | Detail                  | MR60        |
|---------|-------------------------|-------------|
| 1       | Nominal Volume          | 6 cu.mtr    |
| 2       | Water Line Volume       | 7.46 cu.mtr |
| 3       | Geometric Drum Capacity | 11.9 cu.mtr |
| 4       | Filling Height          | 2570 mm     |
| 5       | Mixer Width             | 2350 mm     |
| 6       | Drum Dia                | 2270 mm     |
| 7       | Drum Speed              | 0-15 rpm    |
| 8       | Water Tank Capacity     | 450 ltr     |
| 9       | Filling Ratio           | 50.4%       |
| 10      | Power                   | 52 kw       |
| 11      | Total Weight            | 3850 kgs    |

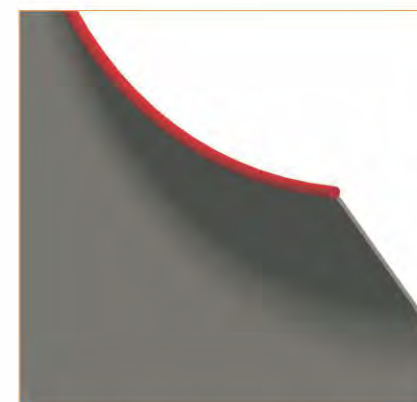
Due to extra low slump and high discharge performance, KYB-CONMAT Transit Mixers can suitably be used for Slip form concrete paving. Detachable Charge Hopper and Split Flow guide facilitate easy maintenance.

Drum, Spiral, Hopper, Flow guide, Discharge Chute are made of wear / corrosion resistant material. Rear design eases cleaning and use of cleaning equipment.

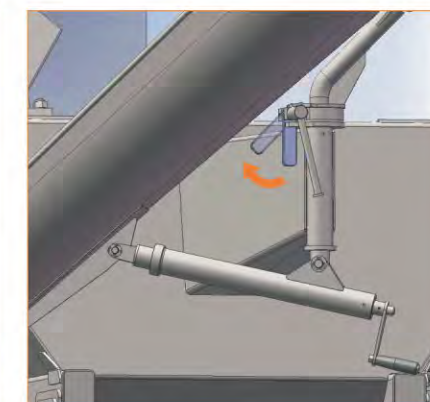
Higher safety during transit due to anti-clockwise Drum rotation for left side travel in India. Low center of gravity for better stability on rough roads.



Quality Inspection like an automobile



A wear-proof round bar protects Drum Spiral without concrete accumulation



Chute is locked by a simple operation for enhanced safety during concrete pour



Staircase to inspection platform form is designed for operator comfort without compromising safety